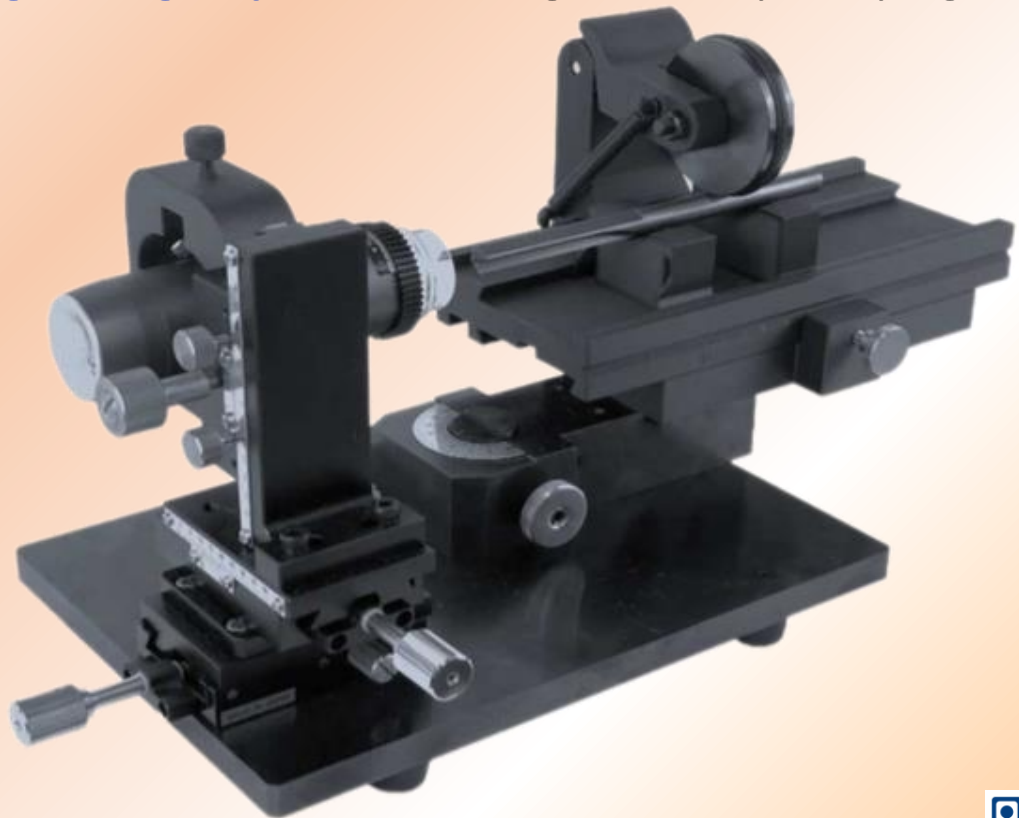


QEC Cubic (Tool observation stand)

Quick *Economic* Cubic

- **Easily observation** of tools like Drills and reamers!
- All you need is a **PC and a CCD camera.!**
- Can be installed in just an **A4-sized space!**
(Main unit size : 140 x 200 x 160)
- **Protects measured objects** with 3D printing technology and features a **lightweight, portable** design for easy carrying!

C-max



Head Office & Factory : 101 Moo 1, Hi-Tech Industrial Estate, Asian Highway K.M.59-60, Banlen,
Bang Pa In, Ayutthaya 13160 Phone : +66 (0) 3535 - 0766 - 8
E-Mail : fsktsale@fskt.co.th

Chonburi Branch : 29/9-10 Moo7, Tambol Na Pa, Amphur Muang Chonburi, Chonburi 20000
Phone : 038 - 441427 - 8 E-Mail : fsktbpk@fskt.co.th



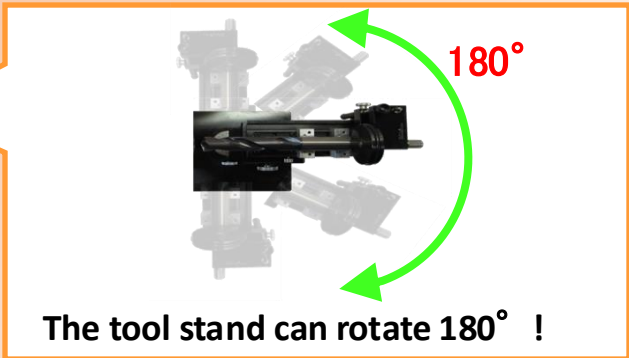
QEC Cubic (Tool observation stand)



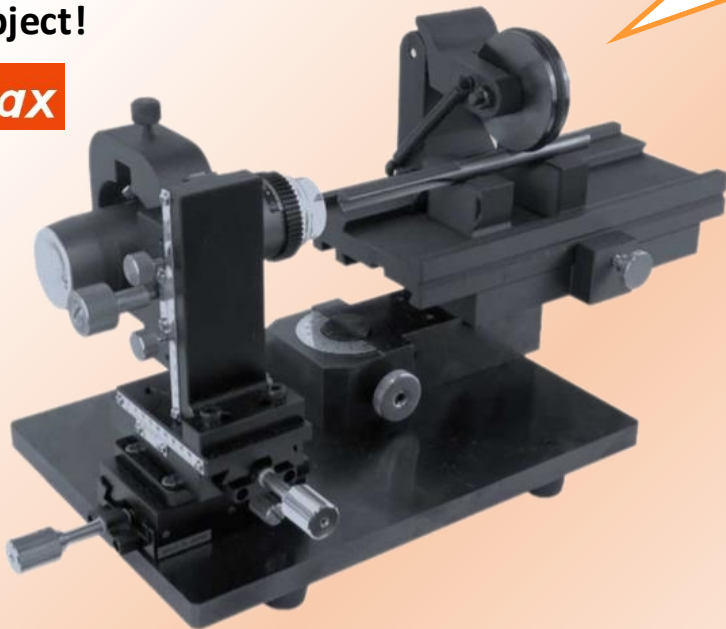
Quick *Economic* Cubic

【 Features 】

- Lightweight with a 3D-printed resin body, it weighs just 4.1 kg and can be easily carried on its own!
- Space saving! (140X200X160)
- The resin body protects the measured object!



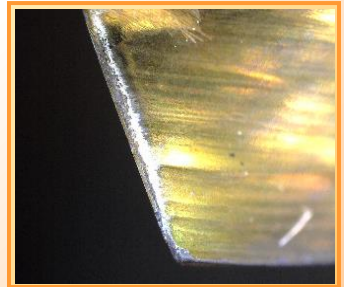
C-max



Check for wear on the surface



Check for wear on the rake face



【 Observation Examples 】

Chisel wear



- In addition, it is possible to observe the tip angle, guide width, etc.!!



Head Office & Factory : 101 Moo 1, Hi-Tech Industrial Estate, Asian Highway K.M.59-60, Banlen, Bang Pa In, Ayutthaya 13160 Phone : +66 (0) 3535 - 0766 - 8
E-Mail : fsksale@fskt.co.th

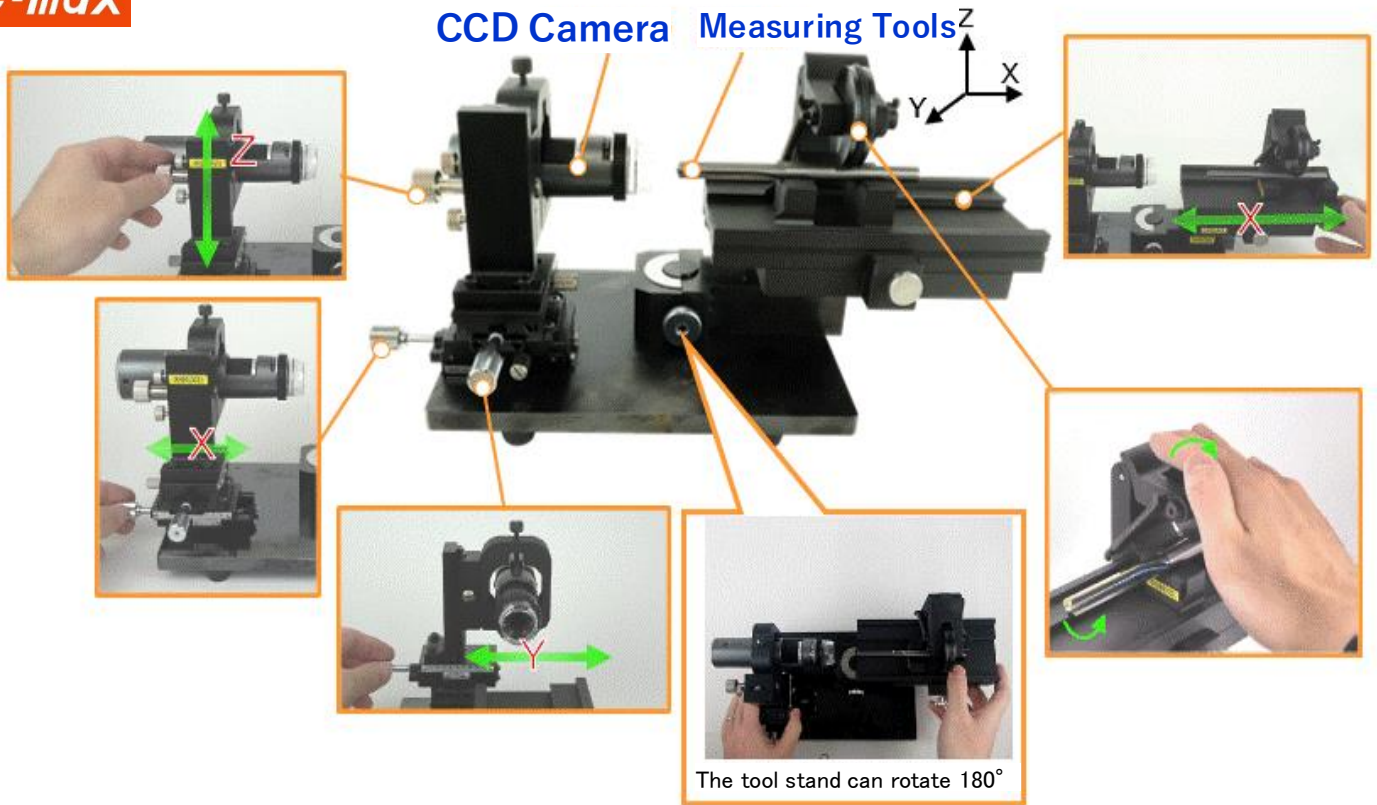
Chonburi Branch : 29/9-10 Moo7, Tambol Na Pa, Amphur Muang Chonburi, Chonburi 20000
Phone : 038 - 441427 - 8 E-Mail : fsktbpk@fskt.co.th



QEC Cubic (Tool observation stand)

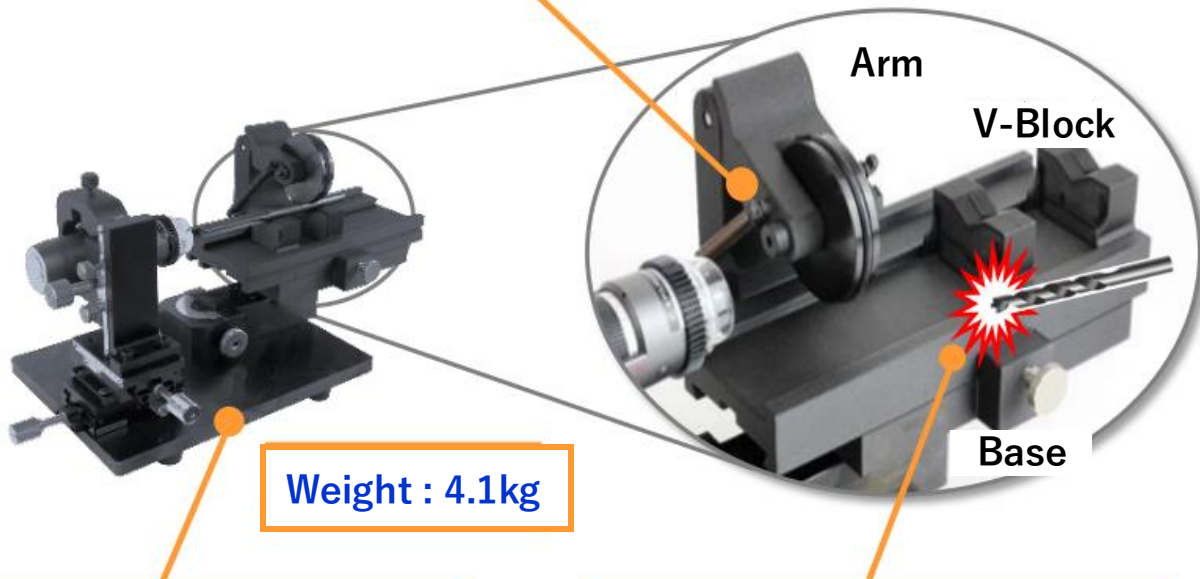


C-max



C-max

Lightweight with 3D printed resin body



Lightweight design for easy carrying

The resin body protects the measured object

Head Office & Factory : 101 Moo 1, Hi-Tech Industrial Estate, Asian Highway K.M.59-60, Banlen, Bang Pa In, Ayutthaya 13160 Phone : +66 (0) 3535 - 0766 - 8
E-Mail : fsktsale@fskt.co.th

Chonburi Branch : 29/9-10 Moo7, Tambol Na Pa, Amphur Muang Chonburi, Chonburi 20000
Phone : 038 - 441427 - 8 E-Mail : fsktbpk@fskt.co.th



FUJISEIKO (THAILAND) CO.,LTD.

