

High definition  
4K Camera

# nano VISION

4K camera / zoom lens 4K 20X to 200X!

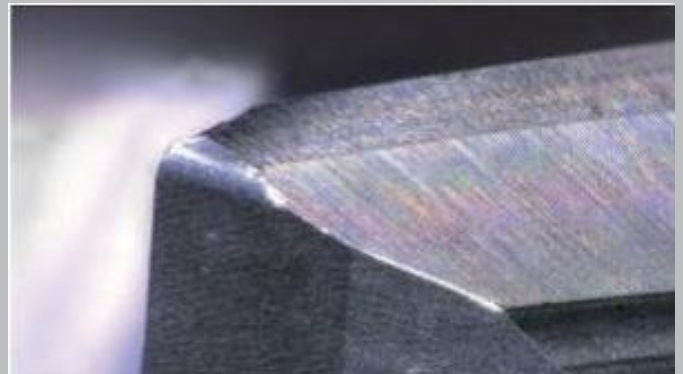
Intuitive operation is possible with a self-developed UI.



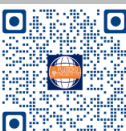
Accurately check the condition of the blade edge using a 4K camera!



Observation of the end tip of a  $\Phi 10$  End mill at 20x magnification.



Observation of the wear condition of a  $\Phi 10$  End mill tip photograph at 200X magnification



# A Dedicated rotating stand for observing tool tips !

FEATURE  
**01**

## Lightweight

Lightweight with a 3D-printed resin body, it weighs just 4.1 kg and can be easily carried on its own!

FEATURE  
**02**

## Space saving!

Space saving! (140X200X160)

FEATURE  
**03**

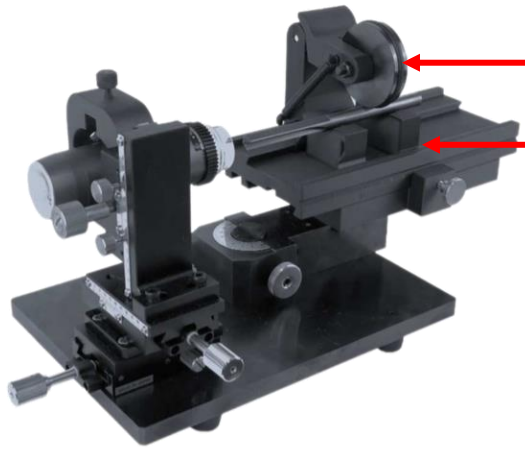
## Protects the measured object!

The resin body protects the measured object!

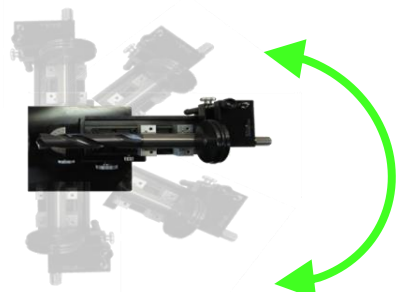
Deep depth of field

A variety of measurement tools available.

One-click photo capturing.



The tool phase can be controlled with a knob. !



The tool stand can rotate 180° !

Ideal for observing, measuring and storing the following:

- Chisel, Relief, Rake face, Point angle, Guide width,
- Wear, Amount of scratches and chips

### Basic specifications

- Camera resolution 4K (4000 x 3000)
- Progressive scan
- Frame rate 50fps
- Manual gain
- Measurement items

2-point, line, R measurement, Parallel line measurement, perpendicular line measurement, angle, center distance, automatic edge detection function



**Head Office & Factory :** 101 Moo 1, Hi-Tech Industrial Estate, Asian Highway K.M.59-60, Banlen, Bang Pa In, Ayutthaya 13160 Phone : +66 (0) 3535 - 0766 – 8 E-Mail : fsksale@fskt.co.th

**Chonburi Branch :** 29/9-10 Moo7, Tambol Na Pa, Amphur Muang Chonburi, Chonburi 20000 Phone : 038 - 44 1427 – 8 E-Mail : fsktbpk@fskt.co.th

